



Cart 中文

Home About Us News Products Certificate Services Contact



MINGRONG

Professional Manufacturer for High & Low Voltage Fuses and Fusegears Combined Electrical Appliance

Product Center

>> Home / Product Center / Square Pipe Fuse Links With Knife Contacts



Parameter Feature Outline Curve

Table 4 (cont.)

Cat. No.	Models		Rated voltage (V)	Rated current (A)	Dimensions/size (mm)						Weight (g)	
	MIRO	Cross-reference			Sizes	Fig.	A	B	C	D		H
0416	NT00	RT16-00 NGTC00	500/690	6~160	00	4.7	78	49	15	29	56	175
0417	NT0	RT16-0 -	500/690	6~160	0	4.7	125	68	15	29	56	252

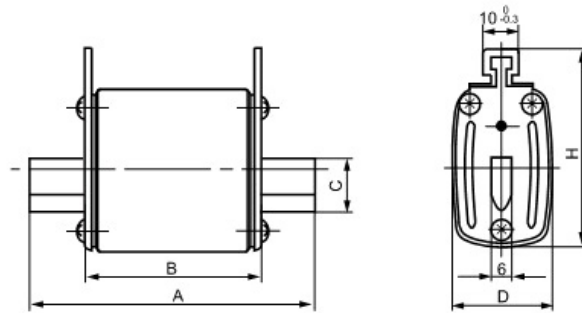


Figure 4.7



浙江正泰电器 中国驰名商标

INQUIRY
400-800-9662

About Mingrong

- Company Profile
- Development
- Organization
- President address

News and media

- Company news
- Enterprise video
- Exhibition information

Products and Services

- Fuse links
- Bole connected fuse links
- Fuse bases
- Fuse alarms
- Fuse carriers
- Combinating electric of fuse
- Automobile Fuse
- High voltage fuse

Support

- Customer Service Center
- Customer complaints
- Marketing network
- Technical FAQ
- Download

Jobs

- Talent concept
- Recruitment information
- Recruitment line

Contact Us

- Regions
- Contact
- Sitemap

